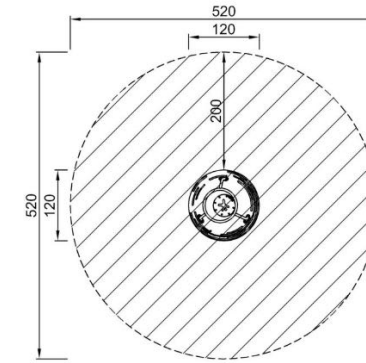
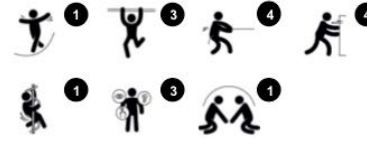


# Tipi Carousel with Top Brace

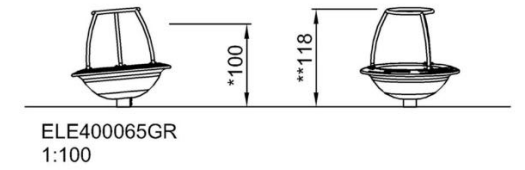
ELE400065



Item no. ELE400065-3717GR	
General Product Information	
Dimensions LxWxH	120x120x118 cm
Age group	4+
Play capacity (users)	8
Colour options	



ELE400065GR  
\*100cm  
\*\*118cm  
\*\*\*21.3m<sup>2</sup>



WOW, a spinning TIPI! The whimsical shapes of the TIPI carousel with top brace attracts children in its own right. And they will play here again and again, thanks to the multifunctionality of the slick TIPI. Responsive to children's movements, the TIPI spins when pushed or pulled. Apart from being a fun negotiation and turn-taking game, the pushing and pulling build

muscles and cardio. In the TIPI children can lie, sit or stand with the support of the side bars or the top frame. This welcomes children with mobility disabilities to be part of the play, too. The spinning movement trains the sense of space and balance. The sense of balance is fundamental to all other motor skills and is important for motor control, for instance being

able to sit still or cycle securely, without falling. The TIPI facilitates universal, inclusive play: It's good fun!



# Tipi Carousel with Top Brace

ELE400065



## Top frame

**Physical:** support for standing, gripping, training sense of balance when spinning.  
**Social-Emotional:** supports standing for more children at a time. Adds support and feeling of security for children with mobility impairments or disabilities.



## Three side bars

**Physical:** support for gripping, pushing and pulling, training muscles. Back support for seating, also for children with mobility impairments or disabilities.  
**Social-Emotional:** supports seated positions for more children. Facilitate social interaction between inside and outside, when children spin each other. Facilitates use from outside of Tipi Caroussel, and turn-taking.



## Shallow entry rim

**Physical:** support for entering and staying in when spinning. Eases entry for children with a range of mobility disabilities.  
**Social-Emotional:** feeling of security when children lie or sit in Tipi Caroussel. Allows for more feeling securely seated when spinning.



## Spacious platform

**Physical:** allows for more body positions: sitting, lying, standing, which facilitates use for children with physical disabilities.  
**Social-Emotional:** facilitates many children using the Tipi Caroussel simultaneously, training cooperation and turn-taking



The bowls are made of recyclable PE. The bowls are moulded in one piece with integrated metal thread bushings and water drain hole to ensure high durability in all climates around the world.



Tipi Carousel has unique water drain system. Water drains automatically - assuring that carousel is always dry and ready to use. The water drain is covered by stainless steel strainer.

**creo**<sup>®</sup>

imagination in action

**Creo**  
46D Stanley Street  
Parnell, Auckland 1010  
Ph: 09 320 4604  
Email: info@creospace.co.nz  
Website: creospace.co.nz

PROJECT		<b>SHORLAND PARK PLAYSPACE</b>	
ADDRESS		Reef Street, Island Bay, Wellington	
DRAWING TITLE			
EQUIPMENT SHEETS			
ISSUE			
REVIEW			
DESIGNED BY	PROJECT ID		
CREO			
DRAWN BY	SCALE		
LM	N/A		
REVIEWED BY	DRAWING #		
CJ	LP2F		
DATE	REVISION		
31-03-2021		<b>REV G</b>	