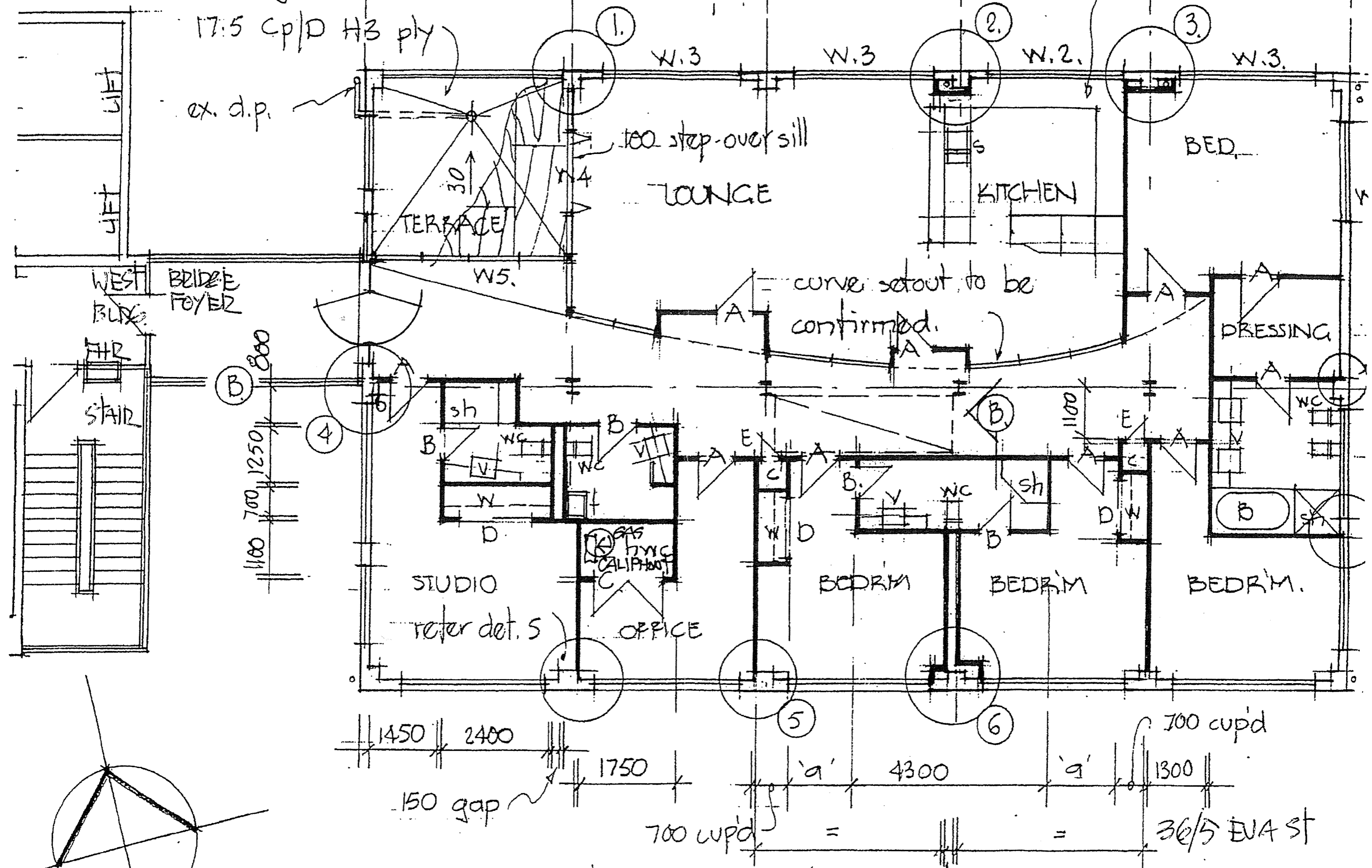


Trafficguard on

Hitings to later detail

17.5 Cp/D H3 ply

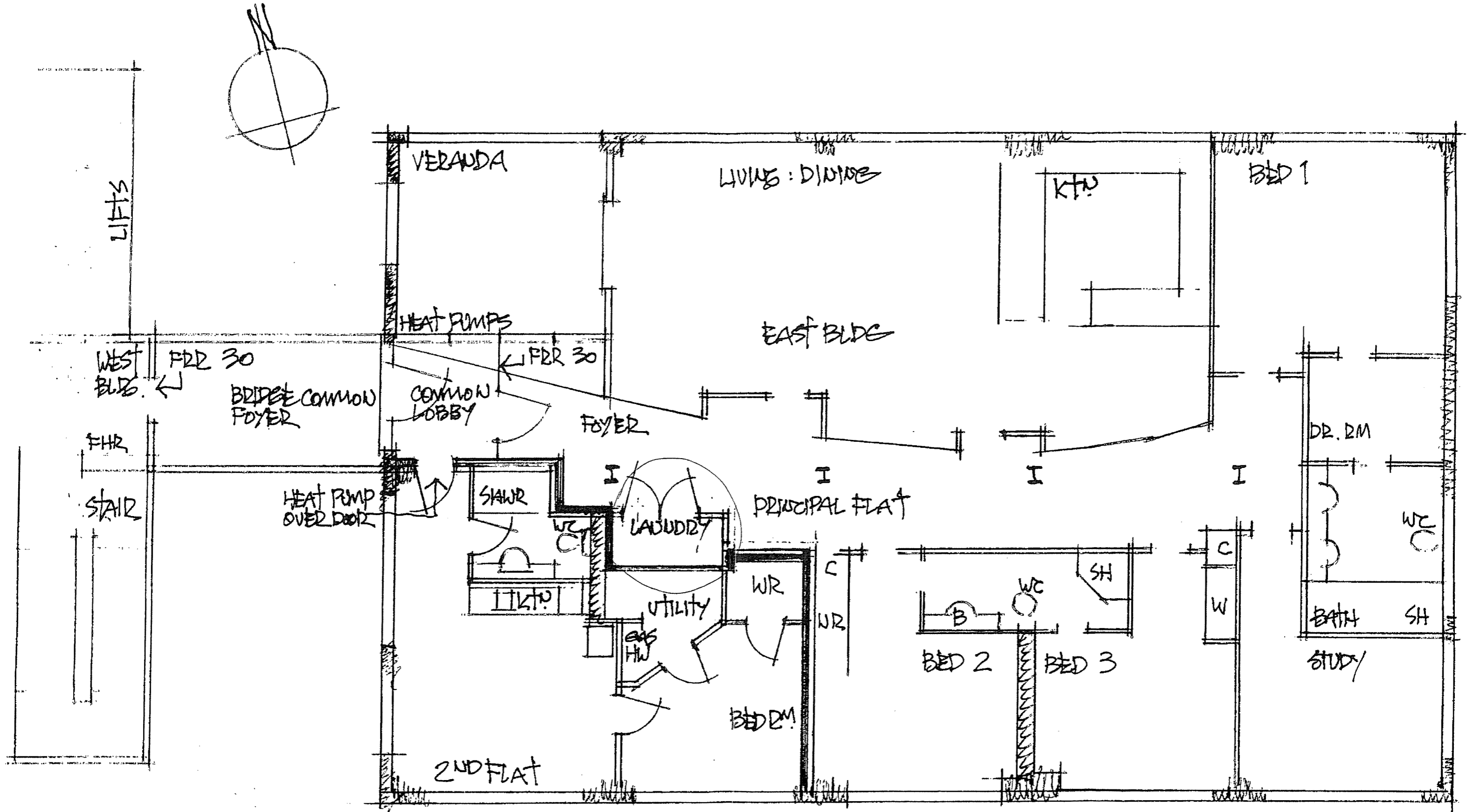
ex. d.p.



EXISTING PLAN 1:100

150 duct

36/5 EVA ST



After

- Laundry 1
- Kitchen 2
- WC 3
- Shower 3
- Vanity 3
- Beds 3

3 bathrooms

Before

- WC 4
- Shower 2
- Kitchen 1

Flourish Vanity 3 (4 bathrooms)
Bath 1

flourish bathroom name *

EVA 36/5
PROPOSED PLAN 1:100
31.10.08