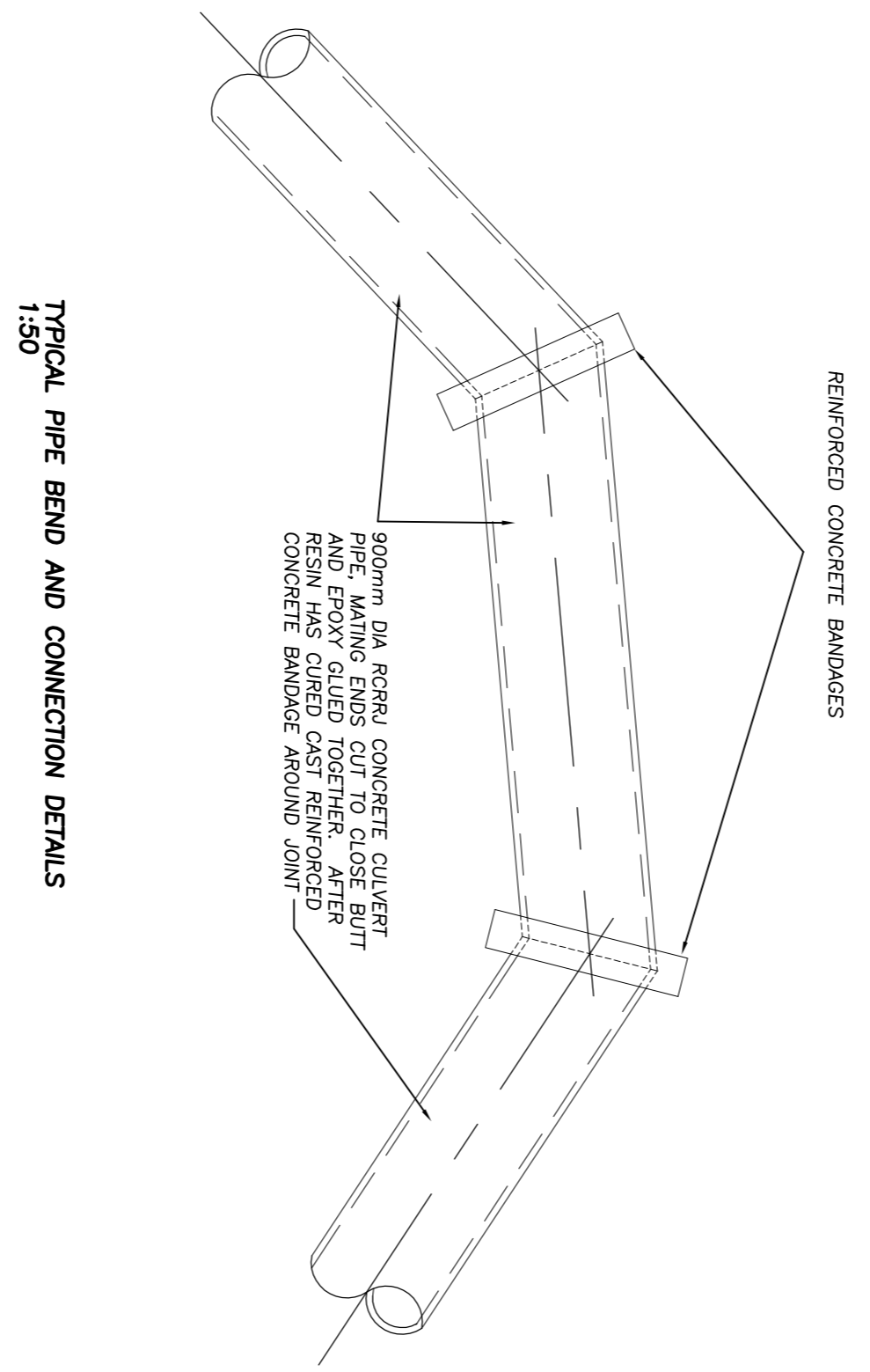
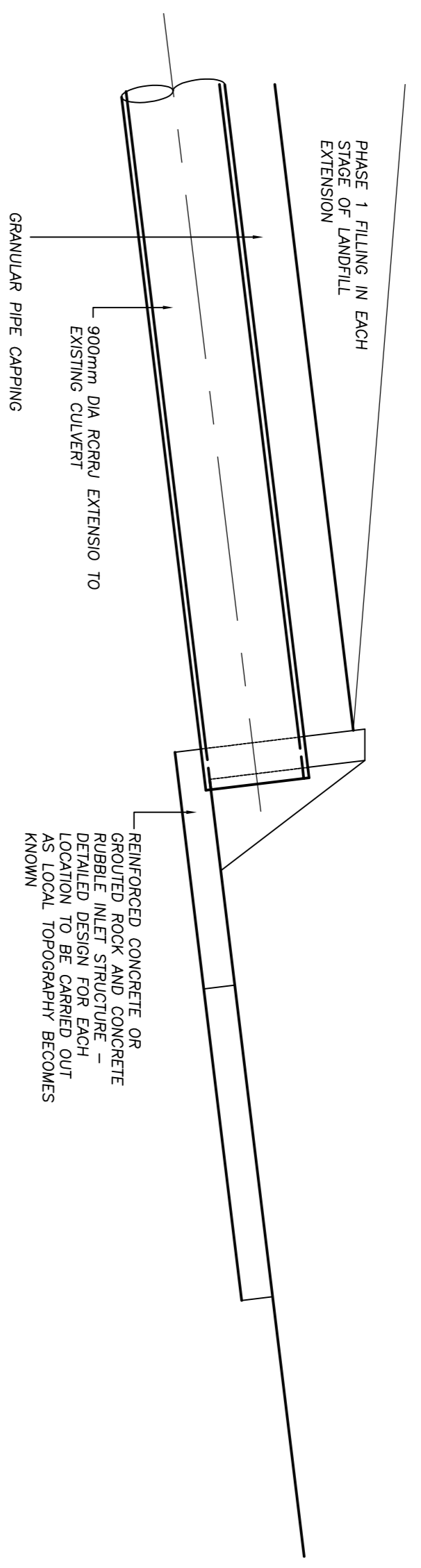
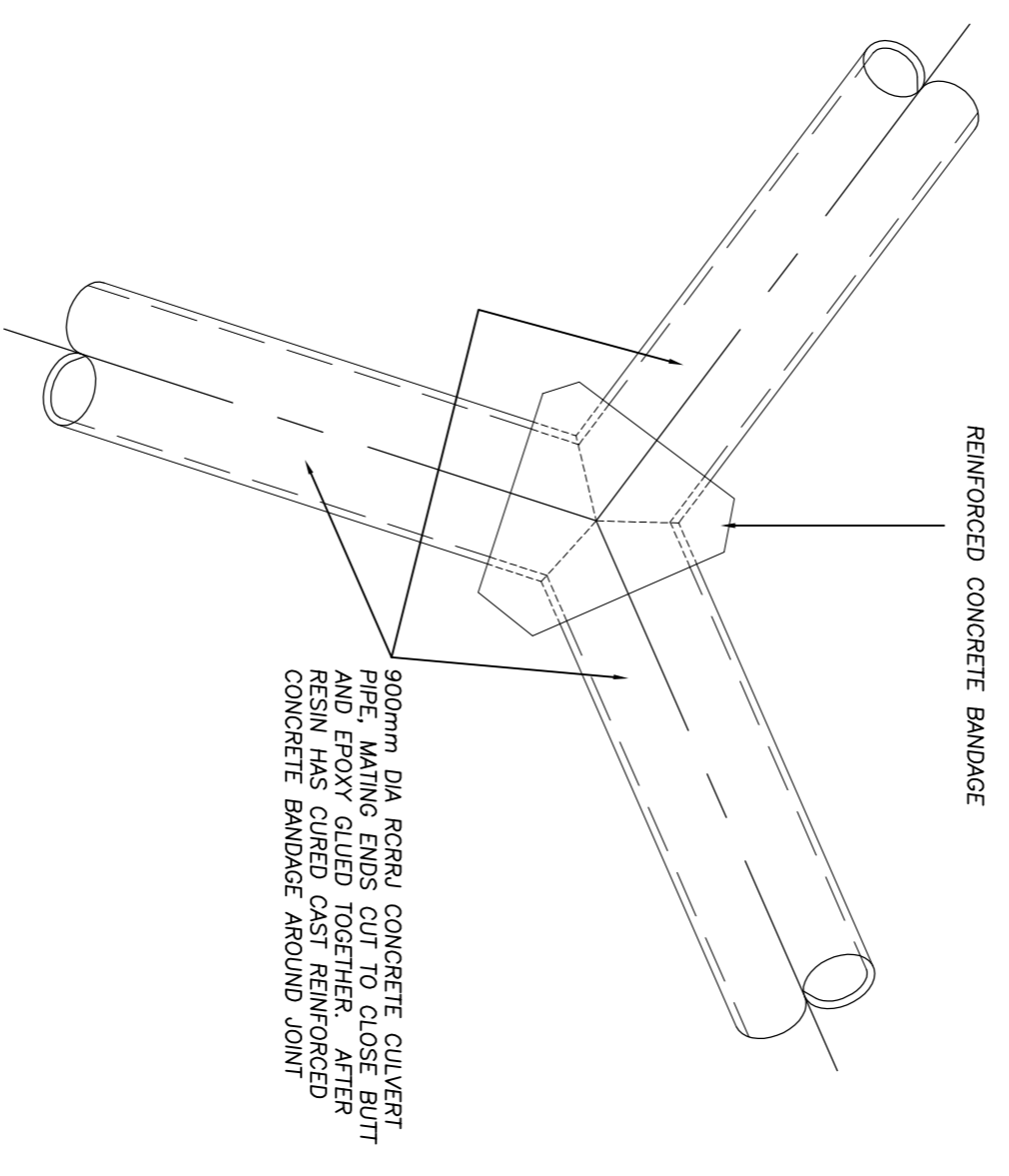
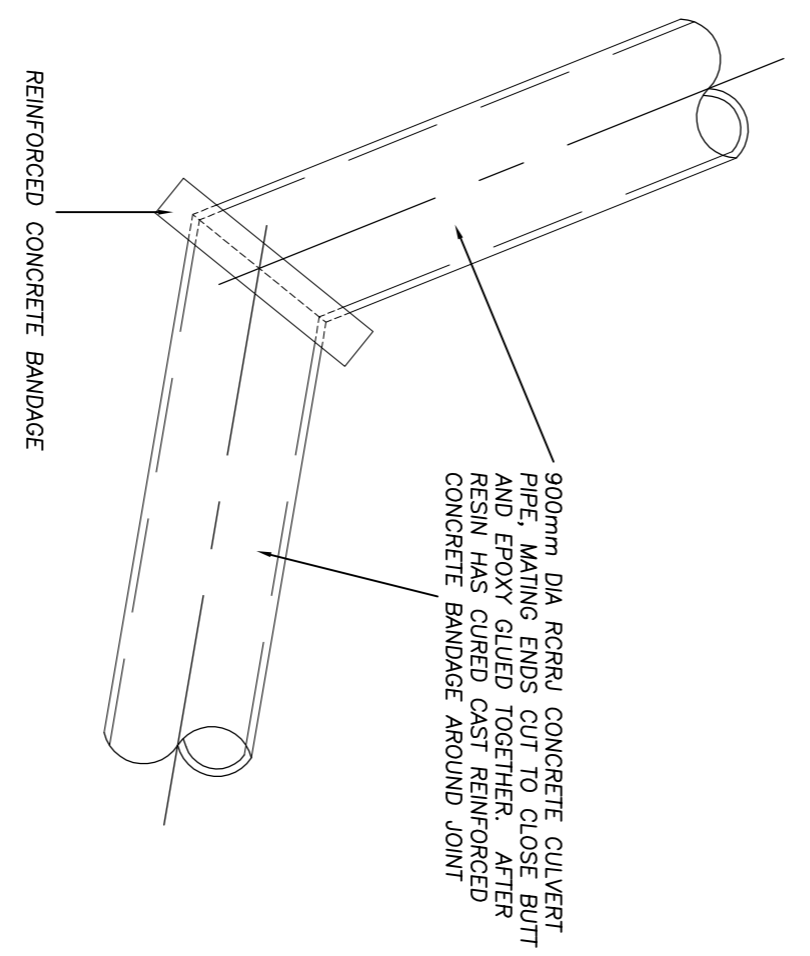


**SCHEMATIC PLAN OF STREAM INLET TO OVERLAND FLOW CHANNEL**  
1:50



**TYPICAL PIPE BEND AND CONNECTION DETAILS**  
1:50



**SCHEMATIC SECTION AT TEMPORARY DRAIN INLET STRUCTURES**  
1:50

	
<p>MWA solutions Limited Consulting Engineers P.O. Box 82 Sunderland SR1 9DQ, +44 1482 979 899 Email: <a href="mailto:wynne@mwaengineers.co.uk">wynne@mwaengineers.co.uk</a></p>	
Client:	BURRELL DEMOLITION LIMITED
Project:	DEMOLITION AND CONSTRUCTION MAYBERNAS LANDFILL MELTING VALLEY WELLSINGTON
File Number:	9402/06
Date: 09/10	Revision: 0
Drawing Number:	0