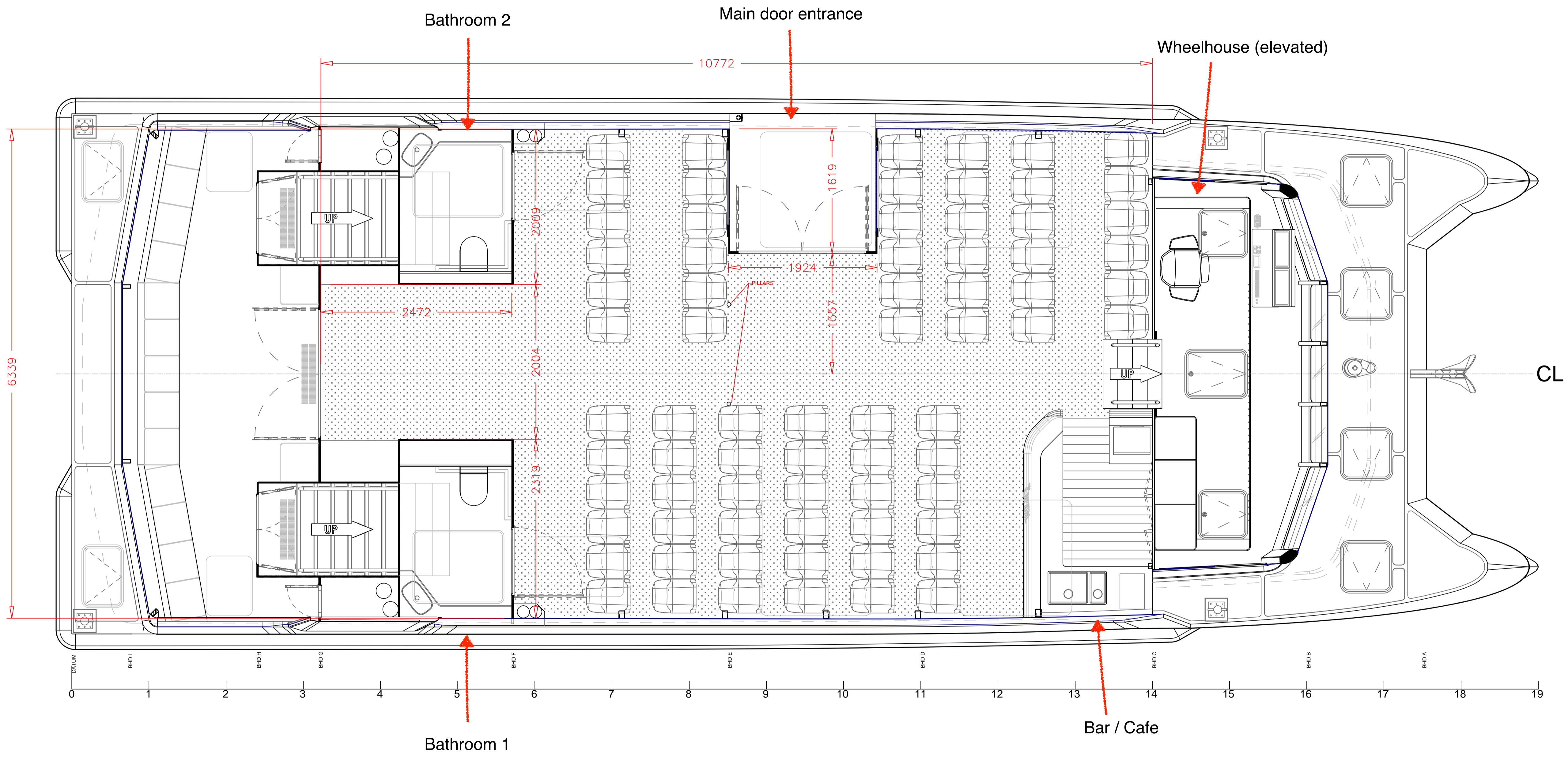


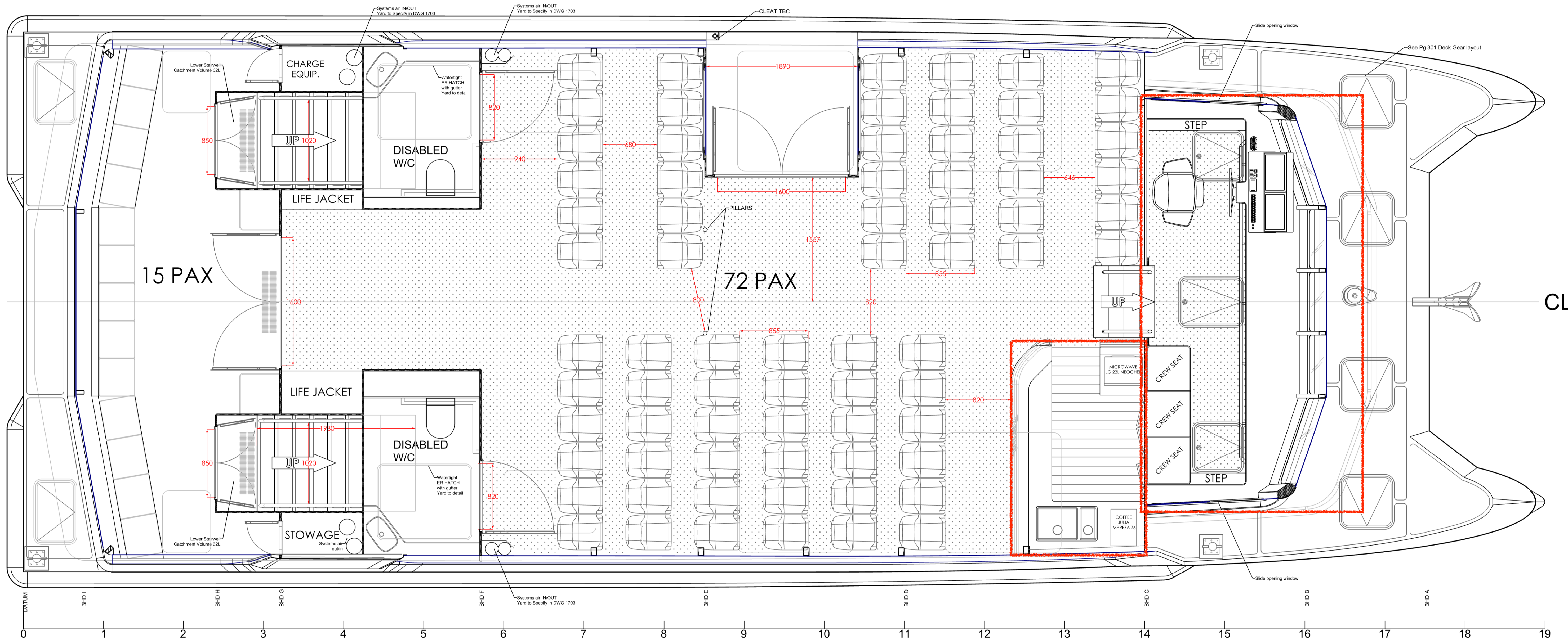
Wellington City Council
21 April 2021



MAIN DECK DIMENSIONS FOR CARPET

MAIN DECK GA

Wellington City Council
21 April 2021



ISSUED FOR
DESIGN
APPROVAL

ISSUE	Date	Drawn	Checked	Approved	COMMENTS
P.1	12-12-2018	W.B.	K.C.	K.C.	Hull model version 0.22C - layout adjusted
P.2	01-02-2019	W.B.	K.C.	K.C.	Hull model version 0.30a - Hull adjusted
P.3	15-07-2019	W.B.	K.C.	K.C.	Hull model version 0.30a - GA Finalised
A	23-06-2020	W.B.	K.C.	K.C.	GA and systems finalised

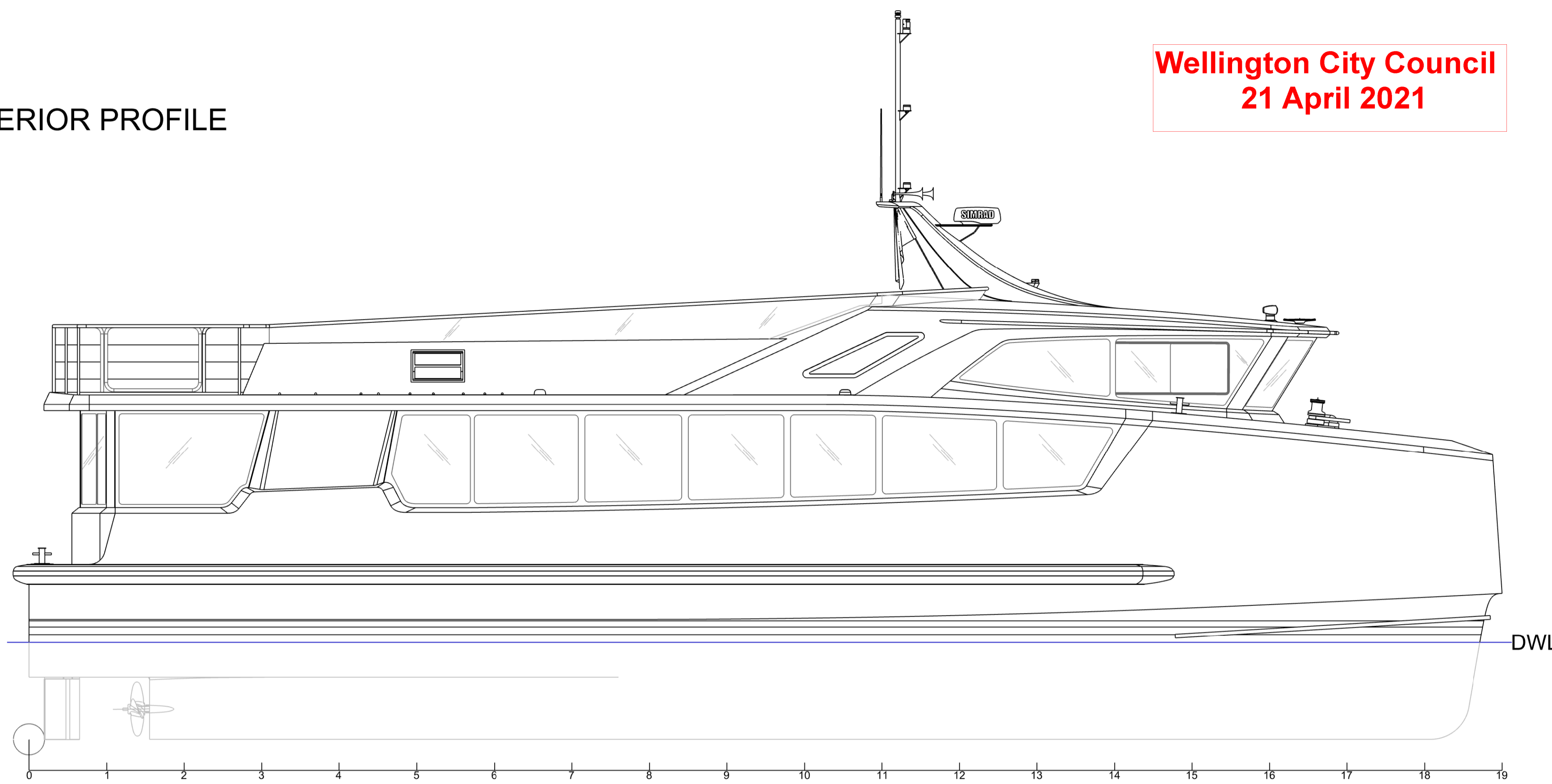
SSC MARINE LTD
5/2 Emily Place, Auckland, 1010
New Zealand
Email: enquiries@sscmarine.com
Web: sscmarine.com

Designers of high efficiency vessels

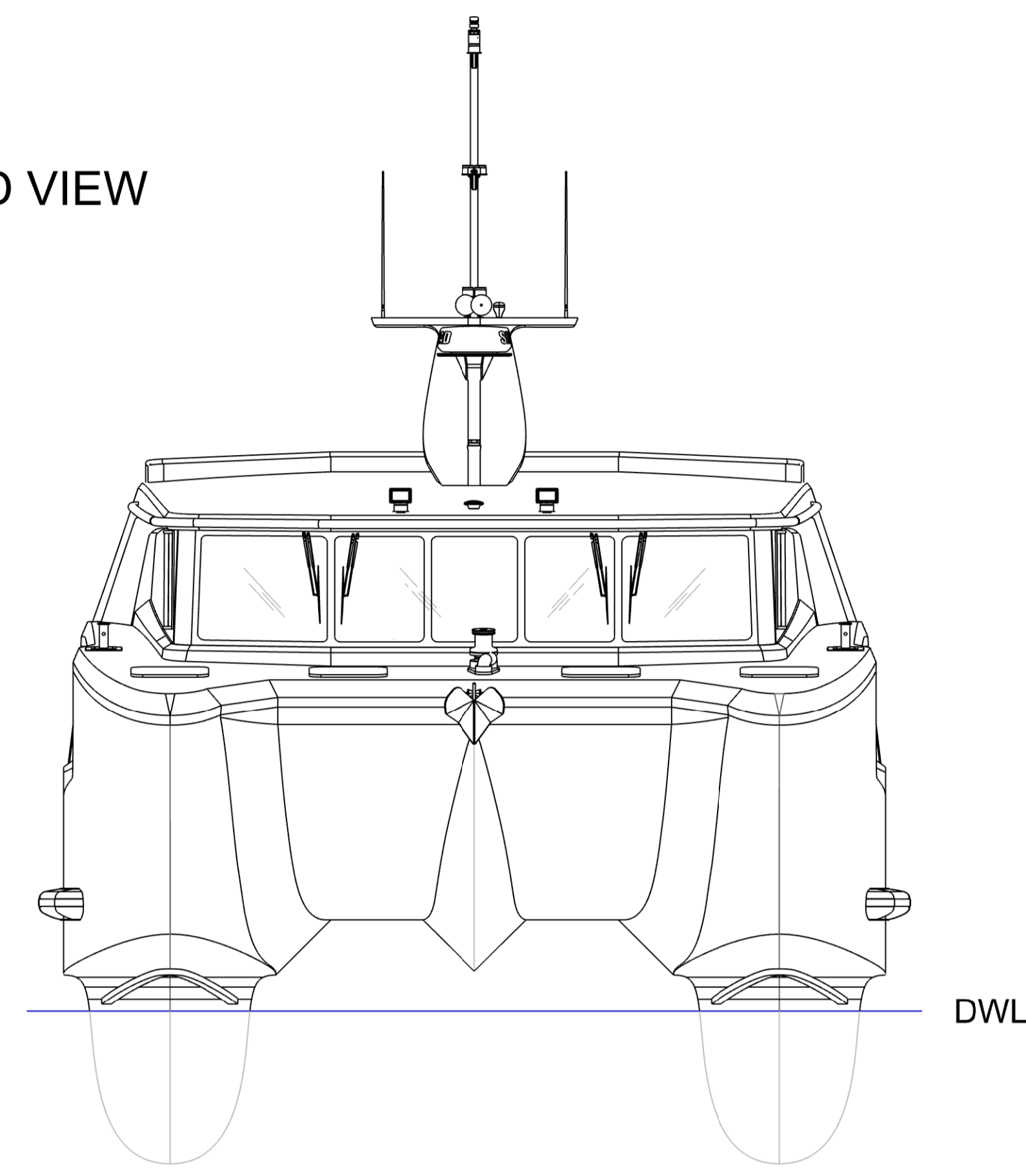
Client:	EAST BY WEST
Project:	WELLINGTON FERRY
Title:	GENERAL ARRANGEMENT - main deck
Drawing Number:	SSC - 005/1 - 0501-2
Sheet:	2 of 3
Scale at ISO A1:	1 : 25
Date:	23 - 06 - 2020

This drawing is confidential. It may not be copied or its contents disclosed to third parties without the written consent of SSC Marine Ltd. and may only be used for the construction of vessels for which design fees and/or royalty payments have been made in accordance with the design contract. All copyrights and intellectual rights remain with SSC Marine Ltd.

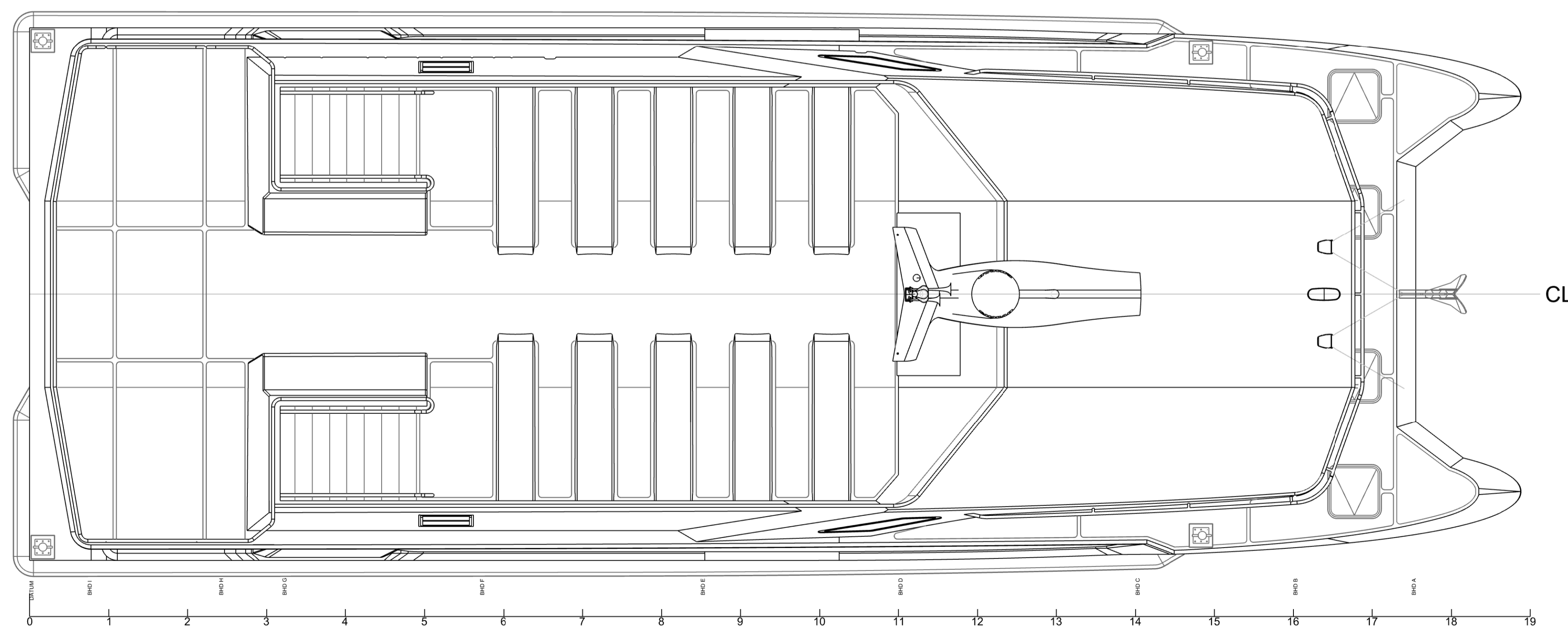
EXTERIOR PROFILE



FWD VIEW



EXTERIOR PLAN



SPECIFICIATIONS

LOA (moulded) : 19m
 Bmax (fender) : 7.14m
 Bmax (moulded) : 6.74m
 Draft at DWL : 1.25m
 Air Draft at DWL : 5.6m
 Speed(FLD) 85% : 20 knt
 Displacement at DWL : 37.5t
 Pax (Upper DK) : 48
 Pax (Lower DK) : 87
 Crew : 3 (master, mate, deckhand)

ISSUE	Date	Drawn	Checked	Approved	COMMENTS
P.1	12-12-2018	W.B.	K.C.	K.C.	Hull model version 0.22C - layout adjusted
P.2	01-02-2019	W.B.	K.C.	K.C.	Hull model version 0.30a - Hull adjusted
P.3	15-07-2019	W.B.	K.C.	K.C.	Hull model version 0.30a - GA Finalised
A	23-06-2020	W.B.	K.C.	K.C.	GA and systems finalised

SSC MARINE LTD
 5/2 Emily Place, Auckland, 1010
 New Zealand
 Email: enquiries@sscmarine.com
 Web: sscmarine.com

sscmarine
 Designers of high efficiency vessels

Client:	EAST BY WEST
Project:	WELLINGTON FERRY
Title:	DECK/CABIN EXTERIOR PLAN/PROFILE
Drawing Number:	SSC - 005/1 - 0202
Sheet:	1 of 1
Scale at ISO A1:	1 : 40
Date:	23 - 06 - 2020

ISSUED FOR DESIGN APPROVAL

This drawing is confidential. It may not be copied or its contents disclosed to third parties without the written consent of SSC Marine Ltd. and may only be used for the construction of vessels for which design fees and/or royalty payments have been made in accordance with the design contract. All copyrights and intellectual rights remain with SSC Marine Ltd

